

MM700300

DEVOKE RECTANGLE DOUBLE LAYER MIRROR WITH SHELVES



ILLUSTRATED

MM700300 DEVOKE RECTANGLE DOUBLE LAYER MIRROR WITH SHELVES

CONFIGURATIONS

N/A

MATERIAL

Mirror: 5mm safety backed mirror glass
Shelf: Clear Toughened Glass
Shelf Brackets: Chrome plated zinc

COLOUR/FINISH

Silver
Chrome plated shelf brackets

WEIGHT

20.9lb (9.5kg)

PACKAGING

White box with colour label

FREQUENTLY USED APPLICATIONS

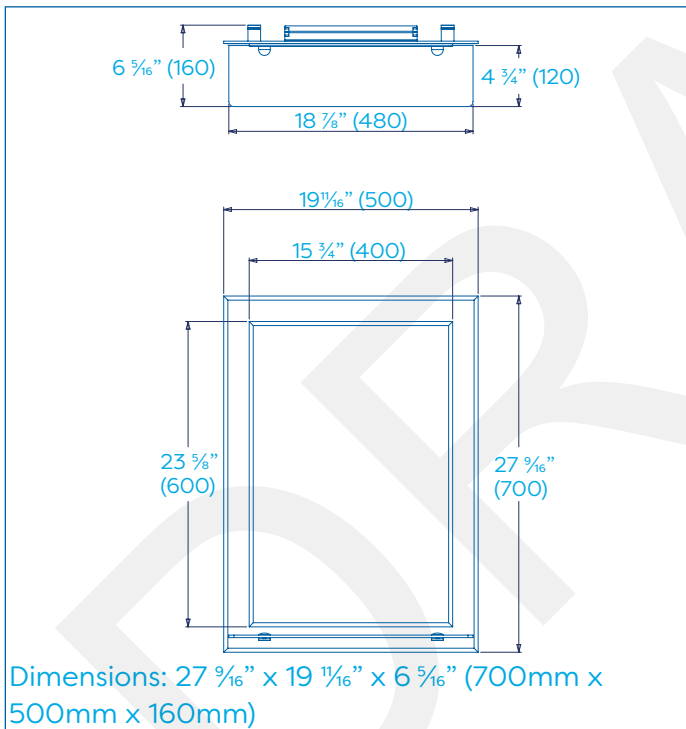
Residential
Hotels

FEATURES

Easy to fit unique hanging system ensures quick and simple installation.
Vecro spacing bracket ensure it is securely held in position on the Hang 'n' Lock bracket.
All fixings supplied.

CARE AND MAINTENANCE

Clean surfaces with a damp cloth and wipe dry using a soft cloth.
Do not use chemical or abrasive cleaners as these may damage the surface finish.

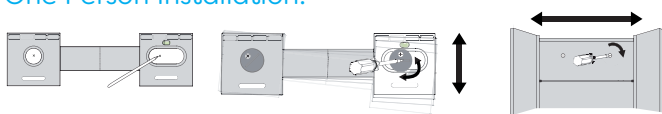


GUARANTEE

Consumer Statutory Rights Apply

UNIQUE HANGING SYSTEM

Easy Installation Bracket.
Fully Adjustable.
One Person Installation.



Tel: +44 (0) 1264 365881
Fax: +44 (0) 1264 356437
Email: info@croydex.co.uk
Web: www.croydex.com

Printed material, designs and packaging are protected by copyright and design right.

Date Created:10/01/22 | REV 001